

ISLAND TWIST WALLHANGING

34" x 34"



Colorway 1



Colorway 2

INSTRUCTIONS

This wall hanging is paper pieced. Foundations for each block are included. As the blocks are sewn together, press seams open. All blocks are 6" finished.

Begin with the center palm leaf. (See Palms Quilt Instructions for fabric placement). Make 4 sets and piece together.

Make 12 of the twist blocks (See Palms Quilt Instructions for fabric placement). Sew around the center blocks.

For Inner Border - Cut 2 pieces 13/4" x 24" from dark print (4825-11 for Clr. 1 and 4825-2 for Clr. 2) and sew to the opposite sides.

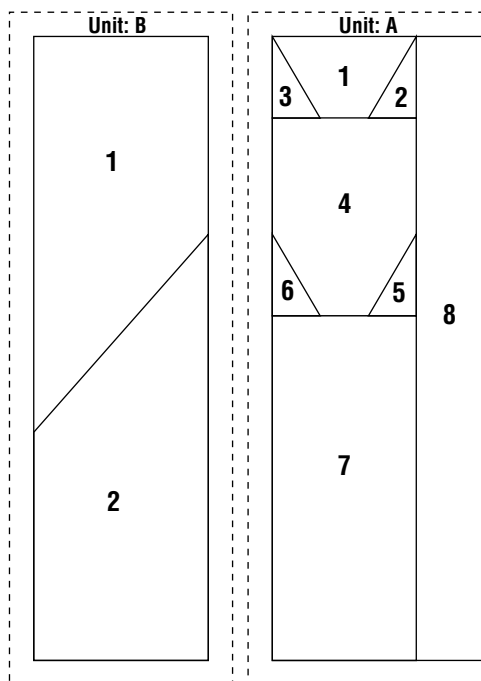
Cut 2 pieces 13/4" x 27" from the dark print (4825-11/4825-2). Sew to the other sides.

For Outer Border - Piece 8 cats 4" x 6 1/2" for the top and bottom, facing the left side. Piece 4 cat blocks for each side, facing inward. Unit A pieces are constructed with floral (4814). Unit B pieces are constructed with leaf print (4817-1 for Clr. 1 and 4822-21 for Clr. 2).

For binding - Cut 4 strips 2 1/2" from green (4817-1 for Clr. 1 and 4822-21 for Clr. 2).

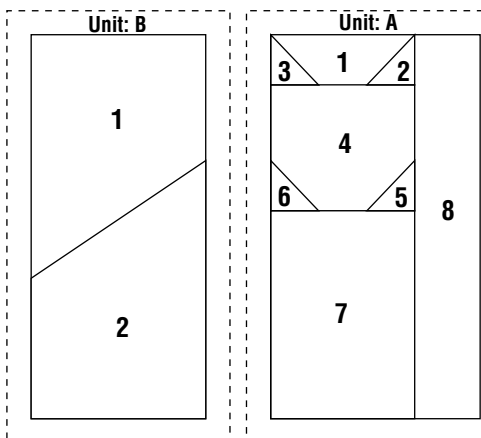
Colorway 1	Style #	Colorway 2	Style #	Yardage
	4814-1		4814-2	1
	4817-1		4822-21	1
	4818-1		4818-2	1/3
	4822-1		4822-2	3/4
	4824-1		4824-2	1/2
	4824-11		4824-21	1/2
	4825-1		4821-2	1/4
	4825-11		4825-2	1/4
	4826-1		4826-2	1

SEE PAPER PIECING UNDER PALMS QUILT

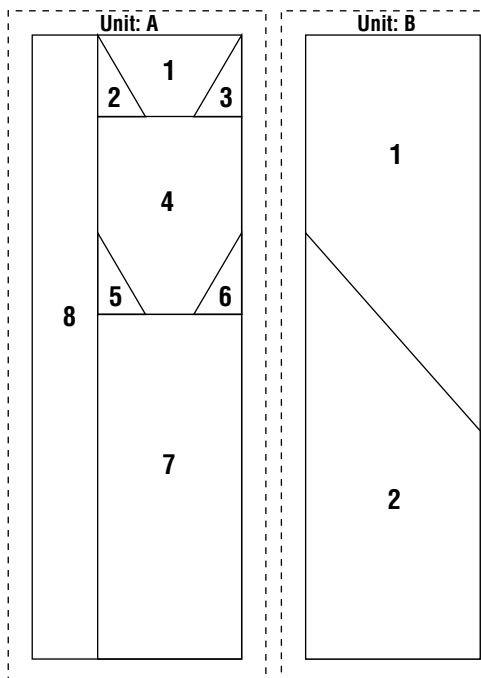


To obtain the correct size foundation pieces, enlarge the foundation drawings on these three pages to 200% for the Island Twist wall-hanging, and 300% for the Palms Quilt.

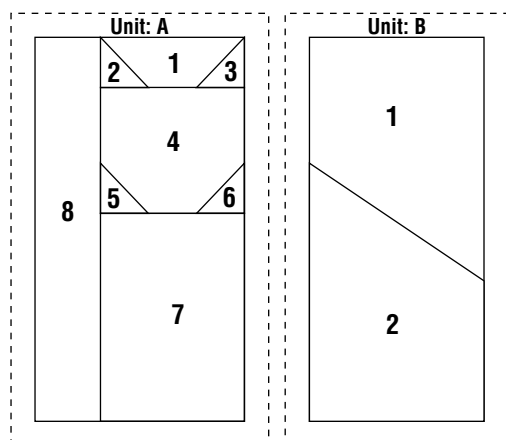
Make 4 (Left Side)



Make 2 (Left Corners)



Make 4 (Right Side)



Make 2 (Right Corners)