

Aurora Stars Project Description

The *Aurora Stars* quilt uses seven fabrics from the RJR *Aurora* fabric line. The quilt showcases a version of the Cathedral Stars technique. Each Floating Star is a three dimensional unit of four single Star Point Frames, the seams of each captured in the underlying grid of squares and rectangles. These Frames have bias folded edges that are turned back over the Star Panes during quilting. Single color gradated fabrics are used for Floating Star units. A Blue to Red variegated fabric is used for the primary background squares and a Yellow to Turquoise variegated fabric is used for the secondary background. **Read through the instructions before beginning.** Create plastic templates for the Star Point Frame and the Star Pane. Squares and rectangles are used for all other pieces. All seams are $\frac{1}{4}$ " inset seams.

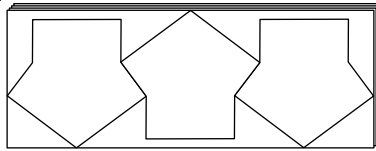
Cutting the Pieces

Star Units

Working with the five single color gradated fabrics, Blue, Green, Yellow, Purple and Red, fold the fabrics lengthwise and remove the selvages. From the dark end of each of the five fabrics, cut two strips, $7\frac{1}{4}$ " each. As you prepare to cut the Star Point Frame pieces fold the strip so that it is four thick. **Refer to Illustration I-1** and the **Cutting Chart** for layout and cutting recommendation.

Working from the light end of the remaining single color gradated fabrics cut the following in order.

- Cut two strips, $2\frac{1}{2}$ " each.
- Cut two strips, $4\frac{1}{2}$ " each.
- From the dark end of the remaining fabrics cut one strip, $4\frac{1}{4}$ " each.



I-1

Cutting Background Squares

To cut the Blue to Red and Yellow to Turquoise variegated background squares refer to the **Cutting Chart**.

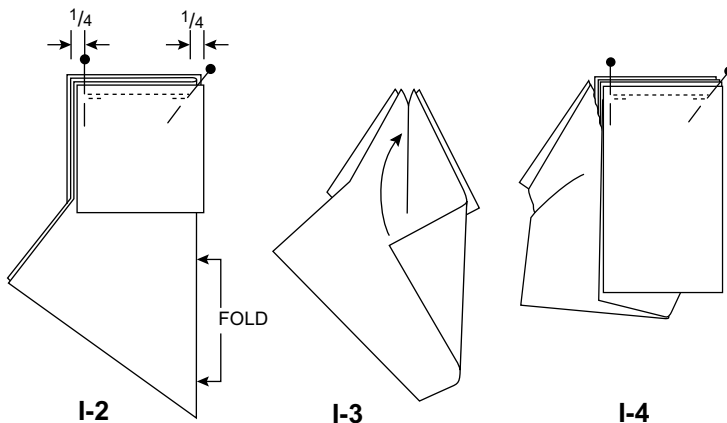
Constructing the Floating Star Units

Each Floating Star Unit requires four Star Point Frames, four light $2\frac{1}{2}$ " squares and eight $2\frac{1}{2}$ " x $4\frac{1}{2}$ " rectangles.

1. Start with two $2\frac{1}{2}$ " squares and one Star Point Frame. Fold the frame in half lengthwise, *wrong sides* together. With the square end up and the raw edges to the left, place the frame between two of the squares, *right sides* together. Line up the upper edge and the left side raw edges. The squares will extend $\frac{1}{4}$ " from the fold on the right hand side. Pin through all four layers on the fold and $\frac{1}{4}$ " from the left edge.

With the fold of the frame facing you, backstitch to the first pin, then stitch right up to the second pin using a $\frac{1}{4}$ " seam allowance. Take one stitch over the pin and backstitch (**See Illustration I-2**).

2. Rotate the unit counterclockwise and open it out so you can see the *wrong side* of the frame fabric (**See Illustration I-3**). Fold the lower right corner of the frame up to the seam upper edge. Lay the darker short end of one of the rectangles on top, right sides together. Line up the corners and top edge, pin and stitch as in **Step 1** (**See Illustration I-4**).

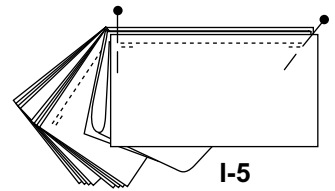


I-2

I-3

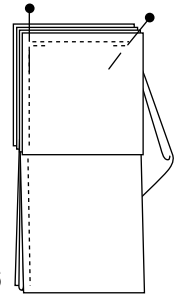
I-4

3. Repeat the rotating and pinning on the longer seam of the rectangle and frame. The darker end of the second rectangle should line up with the previous rectangle. Sew as in **Step 1** (**See Illustration I-5**).



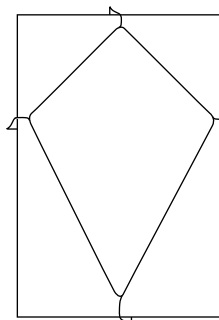
I-5

4. Bring the unsewn edges of the square and rectangle together with the folded frame between. Pin and stitch as in **Step 1** (**See Illustration I-6**).

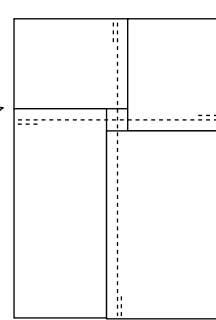


I-6

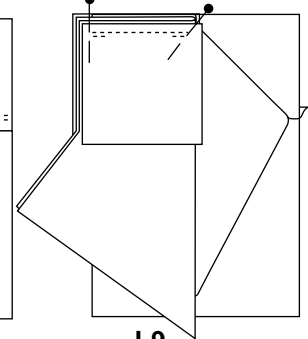
5. Pull the squares and rectangles out flat. This will pull the Star Point flat. The back will look like a four piece rectangular grid (**See Illustration I-7 & I-8**).



I-7



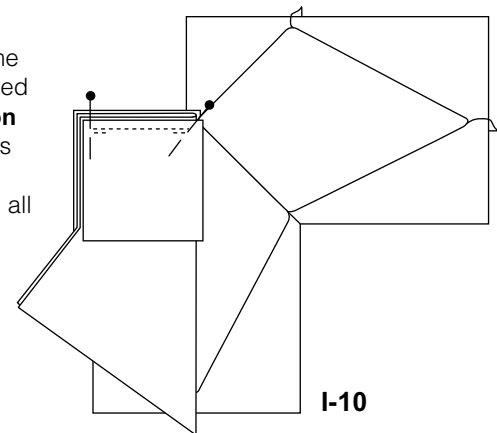
I-8



I-9

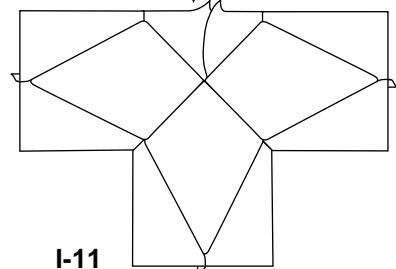
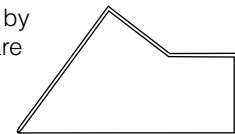
6. To add another frame you will need an additional square and two more rectangles. Place the folded frame, square end up, on the left square of the original frame unit (**See Illustration I-9**). Add the square on top. Line up the corners and upper edges. Pin through all layers to the left and again through the fold and stitch as in **Step 1**. Work around this frame, adding the rectangles, as with the previous frame.

7. Rotate the two-frame unit. Add another folded frame (**See Illustration I-10**). Work around this frame as you did with the previous two, until all four seams are sewn.



I-10

8. Add the fourth frame by placing the folded square end between the two unsewn squares (**See Illustration I-11**). Work around this frame, as with the other frames, adding the last two rectangles. You will need seven blue, seven green, four yellow, four purple and three red Star Frame units.



I-11